



Star Trans

Transforming Technology

Low voltage
TRANSFORMERS

TR 26 SAFETY FOR SWIMMING-POOL TRANSFORMER

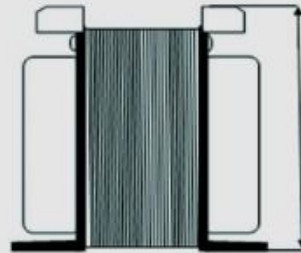
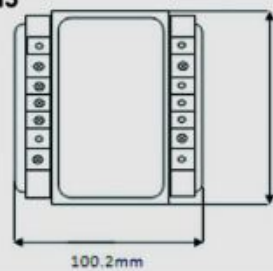
Single-phase safety transformers intended to supply spotlights in swimming-pools, garden ponds, ornamental fountains and moist locations, where for safety reasons it is necessary to supply with safety extra low voltage (SELV). It has several taps in the primary winding in order to compensate for the voltage drop in the transformer-spotlight line conductors and thus gets an adequate brightness in every spotlight. On request we can manufacture transformers with other rated power or voltages, or with other line lengths between transformers and spotlights. The main characteristic of this model is the reduced height that allows the installation in a low



SW0350010

POWER (VA)	REFERENCE	FOR SPOLIGHT	DISTANCES transformer - spotlight	WEIGHT (kg)
350	SW0350010	1x12V 300W	8-18-25 m (WIRE SIZE 6 mm ²) 10-25-40 m (WIRE SIZE 10 mm ²)	4,2

TR 26 SAFETY FOR SWIMMING-POOL TRANSFORMER DIMENSIONS



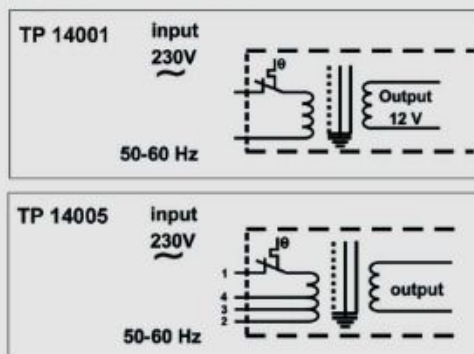
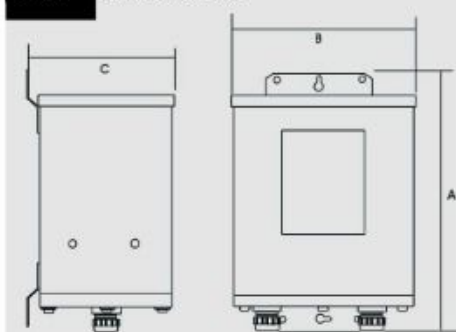
TECHNICAL	
PRI VOLTAGE	230V
SEC VOLTAGE	12V
SEC CONNECTION	SERIAL or PARALLEL
THERMAL CLASS	F(155°C)
MAX AMBIENT TEMPERATURE	40°C
FREQUENCY	50/60 Hz
CLASS	I
PROTECTION INDEX	IP20
DIELECTRIC STRENGTH PRI-SEC	> 4 kV
ELECTROSTATIC SCREEN BETWEEN WINDINGS	

TR 26 SAFETY FOR SWIMMING-POOL TRANSFORMER

Single-phase safety transformers intended to supply spotlights in swimming-pools, garden ponds, ornamental fountains and moist locations, where for safety reasons it is necessary to supply with safety extra low voltage (SELV). It has several taps in the primary winding in order to compensate for the voltage drop in the transformer-spotlight line conductors and thus gets an adequate brightness in every spotlight. On request we can manufacture transformers with other rated power or voltages, or with other line lengths between transformers and spotlights. The main characteristic of this model is the reduced height that allows the installation in a low

POWER (VA)	REFERENCE	FOR SPOLIGHT	DISTANCES transformer - spotlight	WEIGHT (kg)
350	SW03500167	1x12V 300W	8-18-25 m (WIRE SIZE 6 mm ²) 10-25-40 m (WIRE SIZE 10 mm ²)	4,2

TR 26 SAFETY FOR SWIMMING-POOL TRANSFORMER DIMENSIONS



SW03500167

CODE	POWER (VA)	INPUT TENSION	OUTPUT TENSION	SECONDARY CURRENT	DIMENSIONS			WEIGHT Kg.	PACKING
					A	B	C		
TP 14001	300 VA	230 V	12 V	25 A	246	135	120	7,20	1
TP 14005	300 VA	230 V	12-13-14 V	25 A	246	135	120	7,70	1

TR 26 SAFETY FOR SWIMMING-POOL TRANSFORMER

IP00

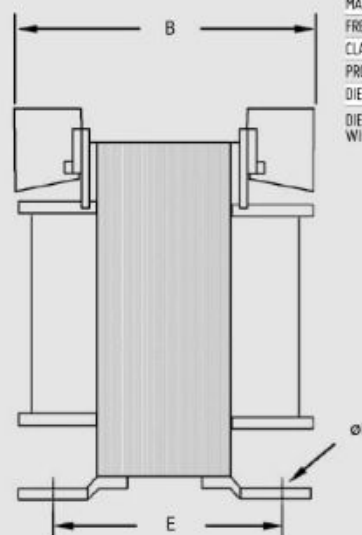
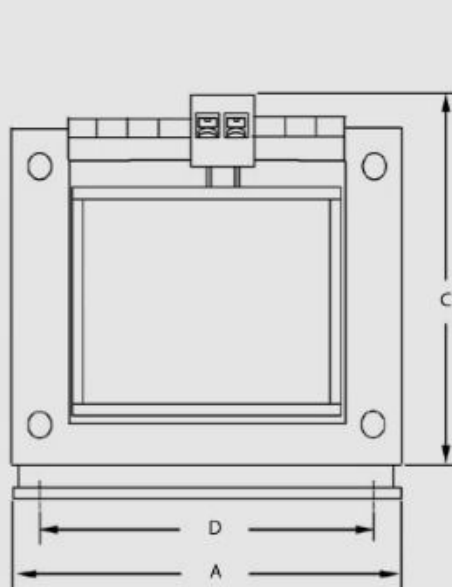
Single-phase safety transformers intended to supply spotlights in swimming-pools, garden ponds, ornamental fountains and moist locations, where for safety reasons it is necessary to supply with safety extra low voltage (SELV). It has several taps in the primary winding in order to compensate for the voltage drop in the transformer-spotlight line conductors and thus gets an adequate brightness in every spotlight. On request we can manufacture transformers with other rated power or voltages, or with other line lengths between transformers and spotlights.

POWER (VA)	REFERENCE	DIMENSIONS (mm)						FOR SPOLIHT	DISTANCES transformer - spotlight	WEIGHT (kg)
		A	B	C	D	E	F			
130	SP0130001	84	90	90	64	67	4,8	1x12V 100W	10-18-25 m	1,96
350	SP0360001	108	110	93	90	80	5,0	1x12V 300W	10-25-40 m	3,90
700	SP0700001	120	135	108	90	117	5,7	2x12V 300W	10-25-40 m	7,80



TR 26 SAFETY FOR SWIMMING-POOL TRANSFORMER DIMENSIONS

IP00



TECHNICAL

PRI VOLTAGE	230V
SEC VOLTAGE	12V
THERMAL CLASS	B(130°C) & F(155°C)
MAX AMBIENT TEMPERATURE	40°C
FREQUENCY	50/60 Hz
CLASS	I
PROTECTION INDEX	IP00
DIELECTRIC STRENGTH PRI-SEC	≥ 4,5 kV
DIELECTRIC STRENGTH BETWEEN WINDINGS & METALLIC PARTS	≥ 2,5 kV

TECHNICAL

TRANSFORMERS, AUTOTRANSFORMERS & REACTORS IP PROTECTION INDEX

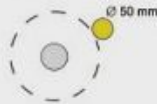
FIRST NUMBER PROTECTION AGAINST CONTACTS AND SOLID OBJECTS

SECOND NUMBER PROTECTION AGAINST HARMFUL INGRESS OF WATER

0

NO SPECIAL PROTECTION

1



PROTECTED AGAINST SOLID OBJECTS GREATER THAN 50 mm (SUCH AS A HAND)

2



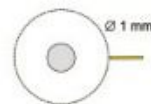
PROTECTED AGAINST SOLID OBJECTS GREATER THAN 12,5 mm (SUCH AS A FINGER)

3



PROTECTED AGAINST SOLID OBJECTS GREATER THAN 2,5 mm (SUCH AS A TOOLS)

4



PROTECTED AGAINST SOLID OBJECTS GREATER THAN 1 mm (SUCH AS A SMALL TOOLS AND WIRES)

5



PROTECTED AGAINST DUST (LOW INGRESS OF DUST) (SATISFACTORY OPERATION OF THE EQUIPMENT)

6



DUST-TIGHT (NO INGRESS OF DUST)

0

NO SPECIAL PROTECTION

1



PROTECTION AGAINST DRIPPING WATER (VERTICALLY FALLING DROPS)

2



PROTECTION AGAINST DRIPPING WATER AT AN ANGLE UP TO 15°

3



PROTECTION AGAINST DRIPPING WATER AT AN ANGLE UP TO 60°

4



PROTECTION AGAINST SPLASHING WATER FROM ANY DIRECTION

5



PROTECTION AGAINST WATER JETS

6



PROTECTION AGAINST POWERFUL WATER JET

7



PROTECTION AGAINST THE EFFECTS OF TEMPORARY IMMERSION IN WATER

8



PROTECTION AGAINST THE EFFECTS OF CONTINUOUS IMMERSION IN WATER



ELMARABEA[®]

Head Office:

5 Elmoahda St. -Tanta
Tel.Fax: + 20 40 359 26 66
Mobile: +20 100 089 4267
E-mail: info@startranseg.com

Show Room:

8 Riyadh Towers, Alex-Cairo
Agricultural Road
Tel.Fax: + 20 40 359 26 66
Mobile: +20 109 23 91 800
E-mail: seles@startranseg.com

**Branch : 6th October industrial
zone, - AliyElden moll - Cairo**
Tel.Fax: +2 02 38838148
Mobile: 01000894835

Factory:

Kilo 12, Mahalla-Tanta Road
Tel.Fax: + 20 40 347 25 62
Mobile: +20 106 667 5643
E-mail: factory@startranseg.com

www.startranseg.com

